



SRX835P

15" Three-Way Bass Reflex Self Powered System

Key Features:

- ▶ JBL premium Transducers
- ▶ 2000 W highly efficient Crown Amplification
- ▶ Full User Configurable DSP
- ▶ Maximum SPL Output: 137dB
- ▶ System Type: Self powered 15", three-way, bass-reflex
- ▶ Frequency Range (-10dB): 33Hz - 21kHz
- ▶ Frequency Response (-3dB): 41Hz - 20kHz
- ▶ Coverage Pattern: 60 x 40
- ▶ Network Control
- ▶ JBL Engineered Application Presets
- ▶ LCD Screen and glow in the dark ink on back panel
- ▶ M10 Suspension Points
- ▶ Standard 36mm pole cup
- ▶ Lightweight poplar plywood cabinets made structurally sound with tongue and groove joints and protected by JBL's tour proven DuraFlex™ finish



Applications:

▶ The SRX835P is a powered portable PA speaker in the SRX800 series from JBL Professional. It has been designed to deliver class leading performance in a variety of applications including use as a main PA, and rear and side fills. When used in conjunction with the other SRX800 full range systems and the SRX800 subs, SRX835P in an integral part of a high performance, fully configurable loudspeaker system.

▶ The SRX835P features premium JBL Transducers. High frequencies are handled by an annular polymer diaphragm compression driver that features a best in class 3" voice coil coupled to a 1.5" throat opening. Using a neodymium magnet, the compression driver is lightweight, efficient, and extremely powerful. This delivers very high power levels with reduced distortion and increased phase coherence resulting in smooth, crystal clear high frequencies. For Low Frequencies, the SRX835P uses a 15-inch woofer with JBL's patented Differential Drive Technology for reduced weight while maximizing power amp efficiency. 3" voice coils and dual ferrite drivers deliver exceptionally low distortion and extended low frequency response.

Finally, the SRX835's midrange driver is derived from the midrange transducer on the VTX 20 touring line array system. The outside cast aluminum frame acts as the structural support, acoustic cavity, and heat sink for the driver, optimizing both space in the speaker cabinet and the performance of the system at the same time.

▶ The SRX835P features a full suite of onboard user configurable DSP including 20 PEQ's, 2 seconds of delay, signal generators, input mixing, amplifier monitoring, and 50 slots for recallable presets, including 6 JBL-engineered application presets. In addition, the system is compatible with V5 JBL Tunings, and features 96kHz FIR Filters, and LevelMax™ Limiting providing compatibility with our flagship Vertec and VTX touring systems.

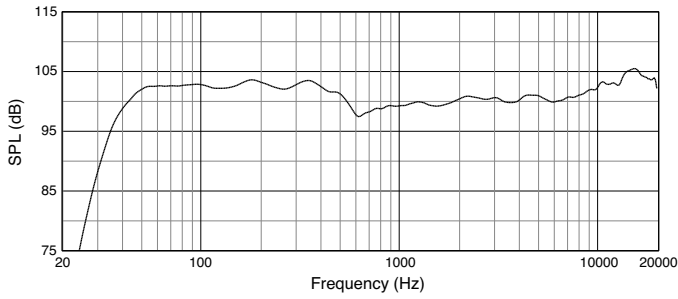
▶ System control and networking is provided by Audio Architect, and a standalone application for iOS and Android. Simple wired control is provided via an Ethercon connector on the back of the system and wireless control is possible using a standard off the shelf wireless router.

Specifications:

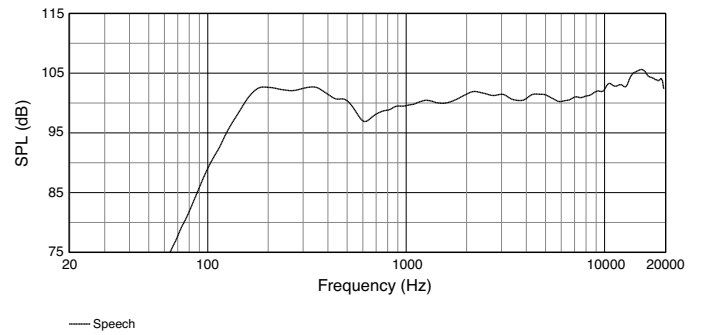
System:	
System Type:	Self powered 15", three-way, bass-reflex
Maximum SPL Output:	137 dB
Frequency Range (-10 dB):	33Hz - 21kHz
Frequency Response (-3 dB):	41Hz - 20kHz
Amplifier:	
System Power Rating:	2000W Peak, 1500W Continuous
Input Impedance:	40k balanced, 20k unbalanced
Line Input Gain:	21 dB
Consumer Input Gain:	33 dB
Mic Input Gain:	45 dB
Maximum Input Level:	
Line:	20dBu
Consumer:	8dBu
Mic:	-4dBu
Connectors:	Neutrik ¼" XLR input; Neutrik XLR Output
LED Indicators:	Power LED (Green) Network Link (Green) Network Data (Yellow)
Cooling:	On-Demand variable speed fan
AC Power Input:	100V - 240V ~ 50/60 Hz
AC Power Consumption (120V ~):	2.2A (1/8th Power), 5.6A (1/3rd Power)
Speaker:	
LF Driver:	2275F
MF Driver:	2107H
HF Driver:	2432H
Coverage Pattern:	60 x 40
Crossover Frequency:	330Hz & 2.4kHz
Enclosure:	
Material:	18mm plywood
Monitor Angle:	Yes
Suspension/Mounting:	Single 36mm pole socket, 12 x M10 Suspension points
Handles:	2
Finish:	Obsidian DuraFlex™ finish
Grille:	Powder coated, Obsidian, 14-gauge perforated steel with acoustically transparent black cloth backing
Dimensions (L x W x H):	18.74" x 21.4" x 38.74" (476mm x 544mm x 984mm)
Weight:	85.0 lbs (38.6 kg)
Shipping Weight:	97.0 lbs (44.0 kg)

SRX835P 15" Three-Way Bass Reflex Self-Powered System

Frequency Response (Main)



Frequency Response (Speech)



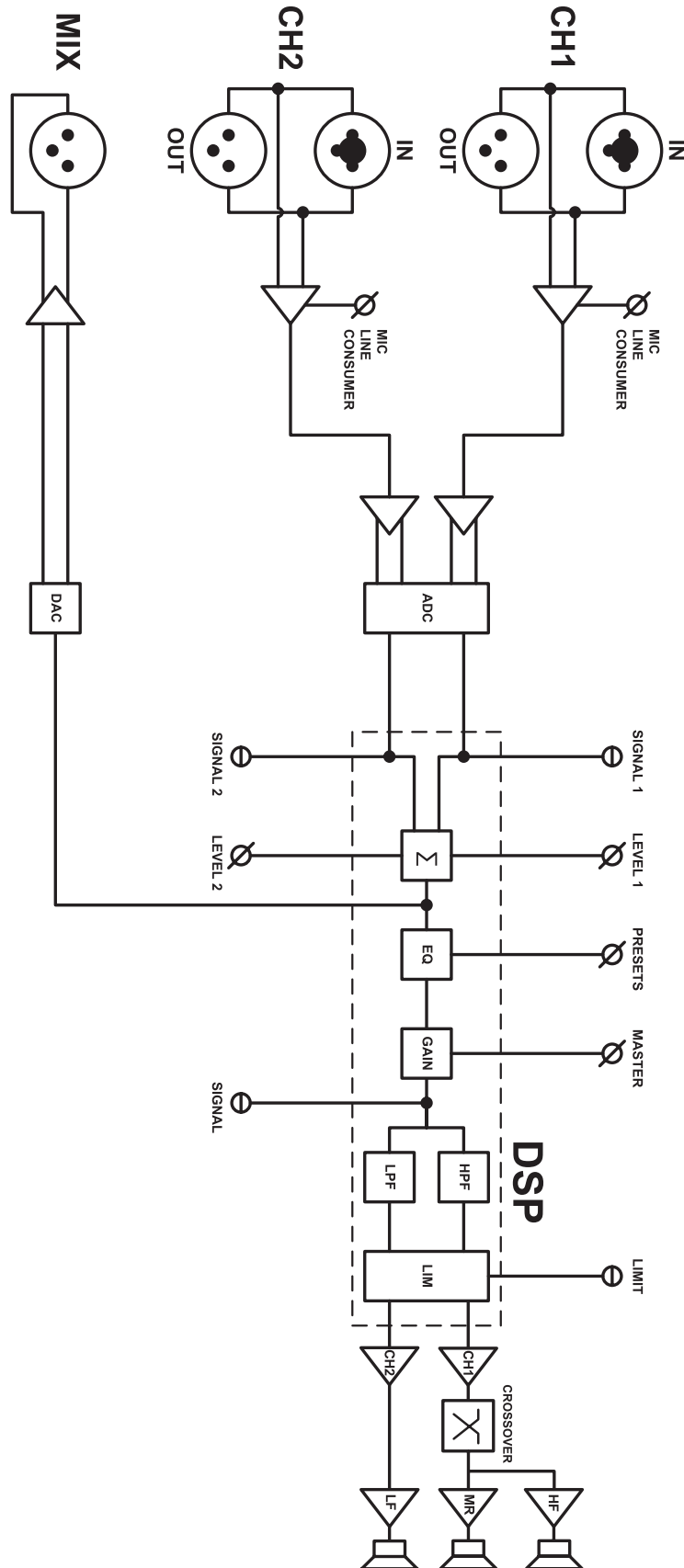
Sub/Satellite Presets

		SRX 812/815	SRX 835	Generic Top Box 60Hz Sub Crossover	Generic Top Box 80Hz Sub Crossover	Generic Top Box 100Hz Sub Crossover	Generic Top Box 120Hz Sub Crossover
SRX 818	Normal	SRX Top / SRX Sub	SRX Top / SRX Sub	60Hz / 60Hz HiPass	80Hz / 80Hz HiPass	100Hz / 100Hz HiPass	120Hz / 120Hz HiPass
	Cardioid 80Hz	Cardioid 80Hz* / SRX Sub	Cardioid 80Hz* / SRX Sub		80Hz / 80Hz HiPass		
	Cardioid 60Hz		60Hz Sub / Cardioid 60Hz*	60Hz / 60Hz HiPass			
SRX 828	Normal	SRX Top / SRX Sub	SRX Top / SRX Sub	60Hz / 60Hz HiPass	80Hz / 80Hz HiPass	100Hz / 100Hz HiPass	120Hz / 120Hz HiPass
	Cardioid 80Hz	Cardioid 80Hz* / SRX Sub	Cardioid 80Hz* / SRX Sub		80Hz / 80Hz HiPass		
	Cardioid 60Hz		60Hz Sub / Cardioid 60Hz*	60Hz / 60Hz HiPass			
Generic Subs	60Hz		60Hz Sub / 60Hz LoPass				
	80Hz	80Hz LoPass / 80Hz Sub	80Hz Sub / 80Hz LoPass				
	100Hz	100Hz LoPass / 100Hz Sub	100Hz Sub / 100Hz LoPass				
	120Hz	120Hz LoPass / 120Hz Sub	120Hz Sub / 120Hz LoPass				

*The Cardioid Preset is always selected only on the rear-facing box. The two front facing boxes should be set to your selected crossover frequency, eg. 60Hz or 80Hz.

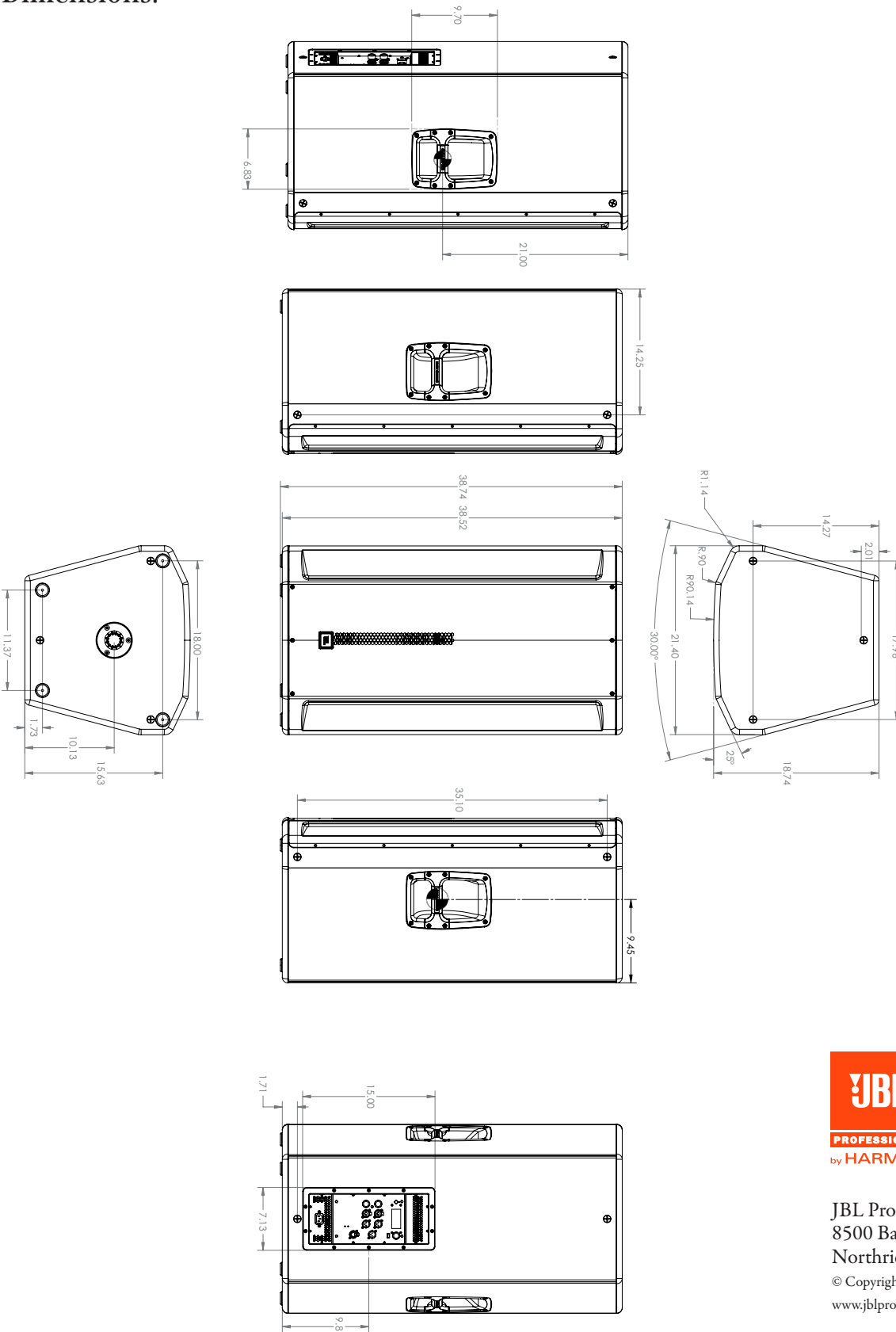
SRX835P 15" Three-Way Bass Reflex Self-Powered System

Block Diagram:



► SRX835P 15" Three-Way Bass Reflex Self-Powered System

Dimensions:



JBL Professional
 8500 Balboa Boulevard, P.O. Box 2200
 Northridge, California 91329 U.S.A.
 © Copyright 2015 JBL Professional
www.jblpro.com