

CS 5 Conference System Quick Start Guide

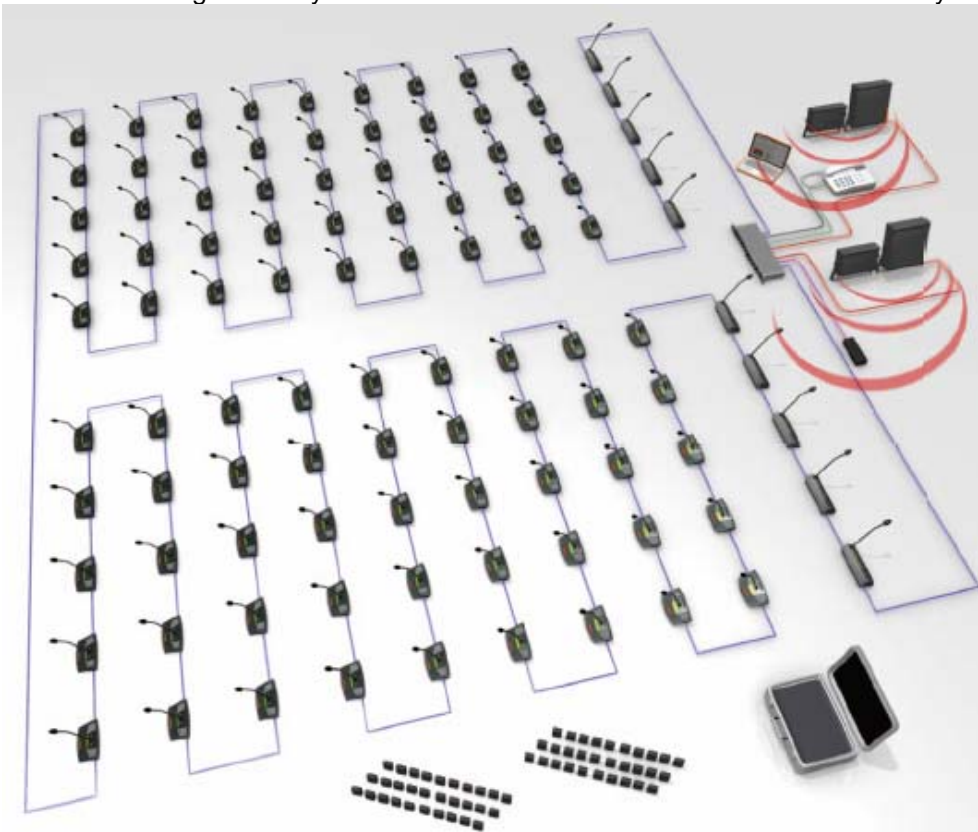
1. Place the CS 5 BU Base Unit, CS 5 VU Voting Stations, CS 5 DU Delegate Stations, CS 5 IU Interpreter Stations (if any), and CS 5 IRT 1 or CS 5 IRT 2 Infrared Radiators at their intended locations.

Screw the microphone capsules on the goosenecks.
Connect the microphones to the microphone inputs on the microphone stations.

2. Make all audio, system bus, and infrared connections.

Use the supplied system cables to wire the system bus (if you use your own CAT5 cables take care that they are SHIELDED – please understand that AKG takes responsibility only for AKG cables):

Connect the “ring” to the system connectors on the rear of the CS5BU and daisy chain all stations.



Use no cables that are longer than 330 feet (100 m) to connect one microphone station to another.

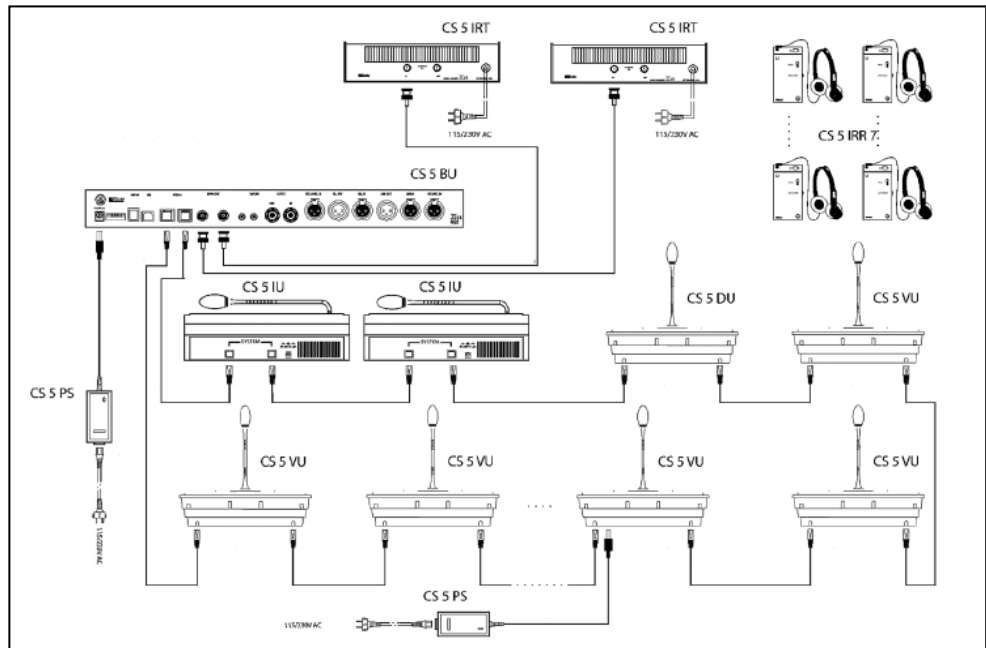
Make sure to connect the last microphone station in the chain to the unused SYSTEM connector on the Base Unit rear panel.

3. Make all power connections.

Connect a CS 5 PS 12 power supply to the DC 48V input on the Base Unit rear panel.

If your system uses more than twelve microphone stations, connect another CS 5 PS 12 power supply.

Each power supply powers maximum 6 stations left and six stations right of the unit you connect it to.



4. Set each chairperson's Voting Station to PRESIDENT mode

using dip switch 8 on the CS5VU (bottom side)

5. Power up the system

First power up all CS5PS12 set in the ring, then set the front panel POWER switch on the CS5BU to "I". The yellow REMOTE and red NOM LEDs will start flashing. After a few seconds, the green POWER LED on the Base Unit will be lit and the LCD backlighting on the microphone stations will come on. **Blinking red lights on the front of the CS5BU tell you that one or more cable connections in the system ring are not ok.** Microphones next to the problem source will blink – that makes it easy to find the loose connection.

6. Automatic Addressing = Learn the System

Coming from the factory each station has the same ID address. To re-address all stations you have to learn the system (only at the very first start up, or when you add or remove stations)!

Take the service card supplied with the CS5 BU and insert it into one of the CS5VU stations (you need at least one in each system). The display will tell you to press buttons 1+5 simultaneously. Do so. When display shows "learning succeeded" you are ready to use the system.

Please download the manual from our home page www.akg.com for more details.

If you would like to share your experience with us please write to us under:

thomas.gicz@harman.com

